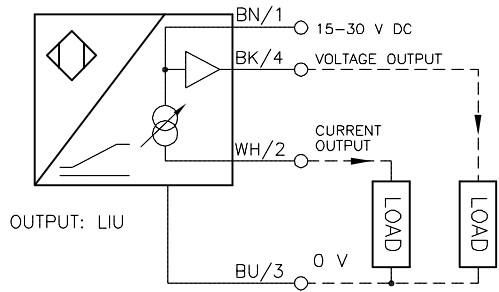
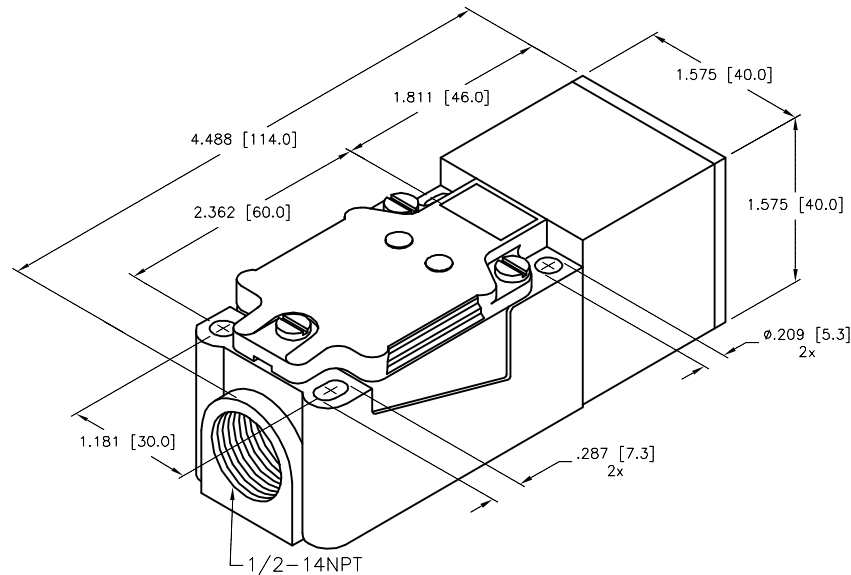


WIRING DIAGRAM



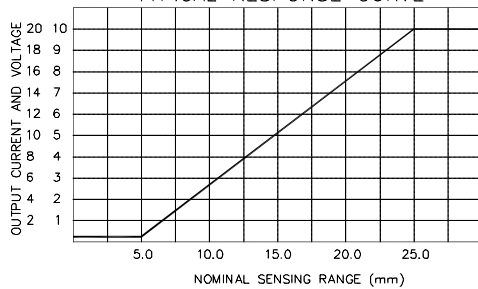
OUTPUT: LIU



SPECIFICATIONS

MEASURING RANGE [A...B]	5.0–25.0 mm
MIN. REPEAT ACCURACY	≤1%
MAX. RELATIVE TEMPERATURE DRIFT	≤ ±0.06%/C°
OPERATING TEMPERATURE	–25°C to +70°C (–13°F to +158°F)
OPERATING VOLTAGE	15–30 VDC
RIPPLE	≤10%
NO-LOAD CURRENT	≤ 8 mA
RATED INSULATION VOLTAGE	≤ 0.5 kV
OUTPUT FUNCTION	4-WIRE, ANALOG
SHORT-CIRCUIT PROTECTED	YES
WIRE-BREAK PROTECTION	INCORPORATED
REVERSE POLARITY PROTECTION	INCORPORATED
VOLTAGE OUTPUT	0–10 V
CURRENT OUTPUT	0–20 mA
LINEARITY TOLERANCE	≤ 5% OF FINAL VALUE
VOLTAGE OUTPUT LOAD RESISTANCE	≥ 4.7 kΩ
CURRENT OUTPUT LOAD RESISTOR	≤ 0.4 kΩ
MEASURING SEQUENCE FREQUENCY	30 Hz
DEGREE OF PROTECTION	IP 67
HOUSING MATERIAL	PLASTIC, PBT-GF30-V0
ACTIVE FACE	PLASTIC, PBT-GF30-V0

TYPICAL RESPONSE CURVE



SOURCE DRAWING - FOR REFERENCE ONLY

RELATED DOCUMENTS 1. 2. 3. 4.	3RD ANGLE PROJECTION 	THIS DRAWING IS CONFIDENTIAL AND THE PROPERTY OF TURCK INC. USE OF THIS DOCUMENT WITHOUT WRITTEN PERMISSION IS PROHIBITED.		3000 CAMPUS DRIVE MINNEAPOLIS, MN 55441 1-800-544-7769 (763) 553-7300 (763) 553-0708 fax www.turck.us	
	MATERIAL	DRFT RDS	DATE 04/26/18	DESCRIPTION NI25-CP40-LIU/S10	
FINISH	ALL DIMENSIONS DISPLAYED ON THIS DRAWING ARE FOR REFERENCE ONLY	APVD A.F.	SCALE 1=1.5	IDENTIFICATION NO. 1535547	
CONTACT TURCK FOR MORE INFORMATION		UNIT OF MEASUREMENT INCH [MILLIMETER]		REV A	
DO NOT SCALE THIS DRAWING		FILE: 1535547		SHEET 1 OF 1	

A	DRAWING RELEASE	RDS	04/26/18	
REV	DESCRIPTION	BY	DATE	ECO NO.